

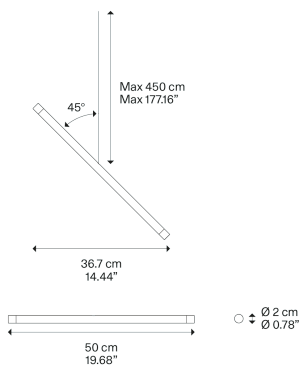
A-Tube Nano Duo, Design by Studio Italia Design

Model A-Tube Nano Duo

Precious pins suspended from a thin cable, like magic lights floating in the space. A-Tube Nano Duo is an offshoot of A-Tube Nano with an LED light source on both ends of its thin metal body. A lightweight and linear lamp available in six finishes, which allows to create evocative and playful cluster compositions.



A-Tube Nano Duo



Light source

LED
2700 K
2 x 1 W / 300 lm
350 mA
CRI 90
MacAdam 3-Step

LED and driver included

Structure: Metal

Matte White – 9010

Matte Black – 9005

Chrome

Rose Gold

Gold

Matte Champagne

Diffuser: Methacrylate

Clear

Clear

Clear

Clear

Clear

Clear

Code

158031

158032

158033

158034

158035

158057

Net weight: 0.21 kg

Parcels: 1



IP40

Energy Saving

Dim Triac



Cluster suspension lamps must be installed on a *canopy*: find out more on lodes.com/en/canopies

A-Tube Nano Duo

Polar diagram

LED
2700 K
2 × 1 W / 300 lm
350 mA
CRI 90
MacAdam 3-Step

