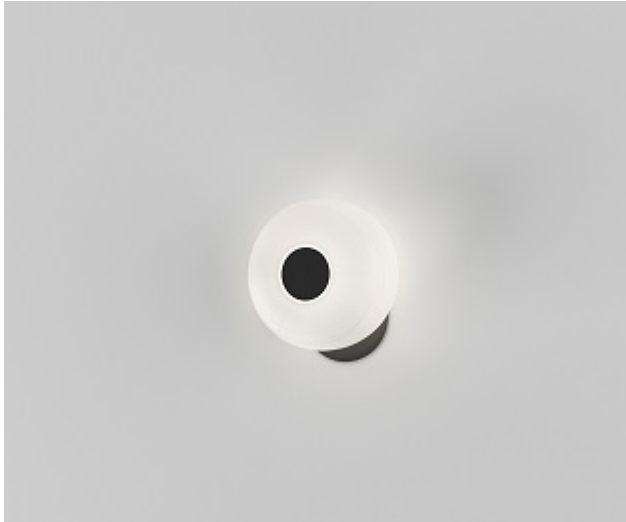


B.lux

MISKO W

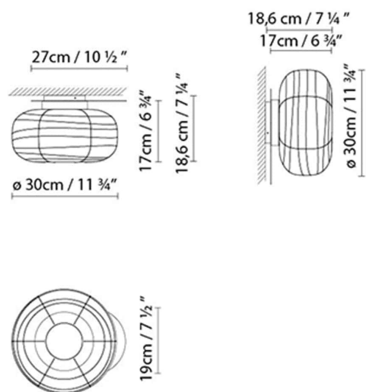
By Stone Designs



Description:

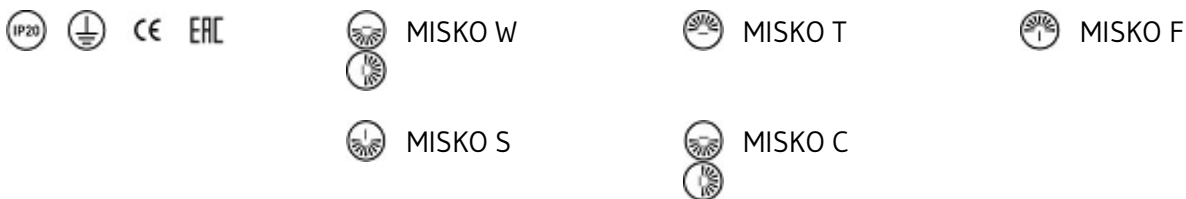
Japanese-style wall lamp. Made with a disc that holds a source of light (E27). This disc can come in natural walnut or painted in matte black and supports the textured blow-glass diffuser with an opal matte white finish.

MISKO C/W15



● Black (matte) ● Natural Walnut

CODE	LAMP	LIGHT SOURCE	DIM	BULB	kg	LED
756403	MISKO C/W15 WALNUT	LED 10W (E27) Fluo. max. 11W (E27)	A++ A	⊘	4,3	A+
756405	MISKO C/W15 BLACK			⊘		A



Collection:



Designer

Technical drawing

Instrucciones de montaje

3D